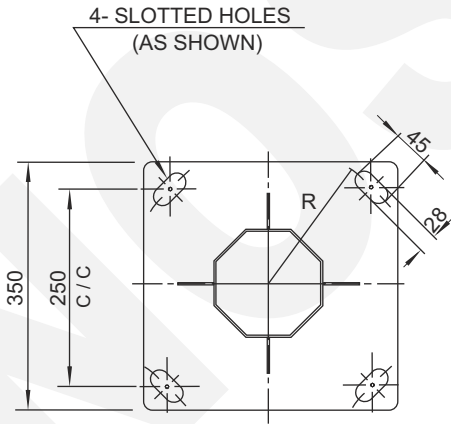


2 ROWS OF 4 Nos. M10 BOLTS, PLACED AT 90° APART.



**BASE PLATE DETAIL**  
SIZE: 350x350x10 THK.

**NOTES:**

1. ALL DIMENSION ARE IN MM.
2. MATERIALS SPECIFICATION  
POLE SHAFT CONFORMING TO DIN 17100-ST44-2 OR EQUIV.  
BASE PLATE CONFORMING TO DIN 17100-ST44-2 OR EQUIV.
3. HOT DIP GALVANIZING AS PER BS EN ISO 1461.
4. WELDING AS PER AWS D1.1.



AL-FANOS LIGHTING FACTORY  
P.O. BOX - 40101; RIYADH - 11499  
TEL: 2923007; 4726178 FAX: 2923008

CLIENT:

TITLE:

H.D.G 6.0 M OCTAGONAL STEEL  
LIGHTING POLE

CADD:	SAK	DATE:	
CHD:		SCALE:	
DWG. No.:	<u>LF-06-0006</u>	SHEET:	OF: 1/1