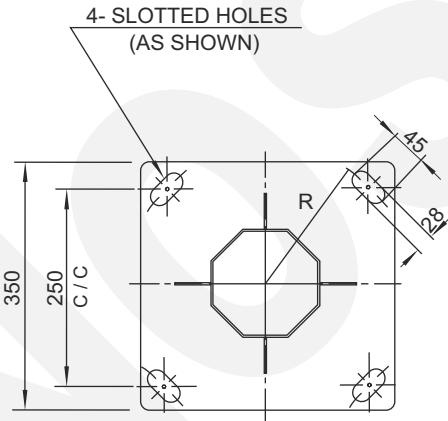


2 ROWS OF 4 Nos. M10 BOLTS, PLACED AT 90° APART.

WALL THK=3.0 MM

CUT OUT BOX OPENING WITH DOOR. REFER DETAILS

Ø156 A/F. (POLE BASE)



BASE PLATE DETAIL
SIZE: 350x350x10 THK.

NOTES:

1. ALL DIMENSION ARE IN MM.
2. MATERIALS SPECIFICATION
POLE SHAFT CONFORMING TO DIN 17100-ST44-2 OR EQUIV.
BASE PLATE CONFORMING TO DIN 17100-ST44-2 OR EQUIV.
3. HOT DIP GALVANIZING AS PER BS EN ISO 1461.
4. WELDING AS PER AWS D1.1.



AL-FANOS LIGHTING FACTORY
P.O. BOX - 40101; RIYADH - 11499
TEL: 2923007; 4726178 FAX: 2923008

CLIENT:

TITLE:

**H.D.G 6.0 M OCTAGONAL STEEL
LIGHTING POLE**

CADD:	SAK	DATE:	
CHD:		SCALE:	
DWG. No.:	LF-06-0006	SHEET:	OF: 1/1