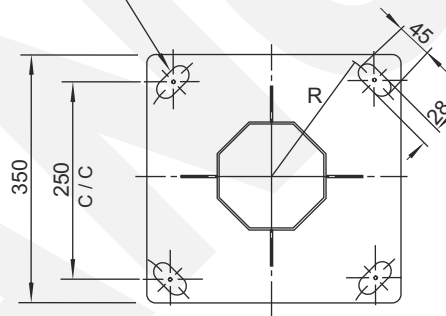


4- SLOTTED HOLES
(AS SHOWN)



BASE PLATE DETAIL

SIZE: 350x350x10 THK.



AL-FANOS LIGHTING FACTORY
P.O. BOX - 40101; RIYADH - 11499
TEL: 2923007; 4726178 FAX: 2923008

CLIENT:
MINISTRY OF MUNICIPALITIES
AND ROYAL AFFAIRS, KSA

TITLE:
H.D.G 5.0 M OCTAGONAL STEEL
LIGHTING POLE

CADD:	DATE:
CHD:	SCALE:
DWG. No.: LF-06-0005(3)	SHEET: OF: 1/1