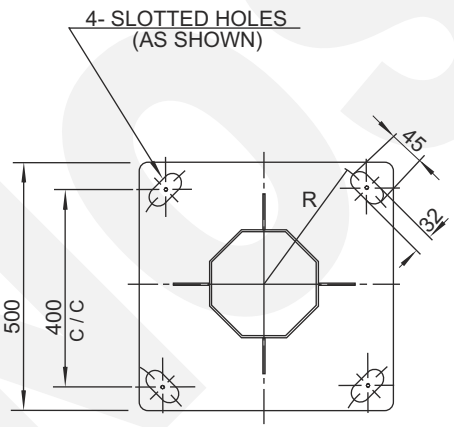



2 ROWS OF 4 Nos. M10 BOLTS, PLACED AT 90° APART.



**BASE PLATE DETAIL**  
SIZE: 500x500x20 THK.

 <b>AL-FANOS LIGHTING FACTORY</b> P.O. BOX - 40101; RIYADH - 11499 TEL: 2923007; 4726178 FAX: 2923008		
CLIENT: MINISTRY OF MUNICIPALITIES AND ROYAL AFFAIRS, KSA		
TITLE: H.D.G 14.0 M OCTAGONAL STEEL LIGHTING POLE		
CADD:	SAK	DATE:
CHD:		SCALE:
DWG. No.:	<b>LF-06-0014</b>	SHEET: OF: 1/1